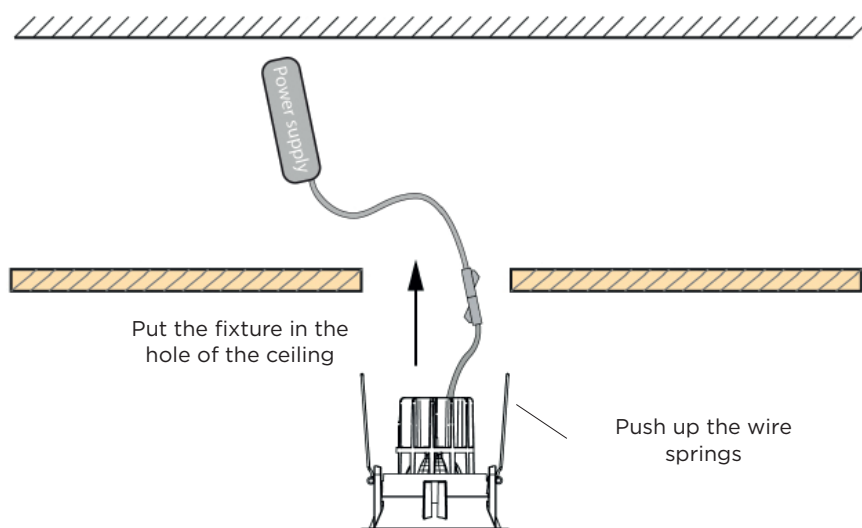
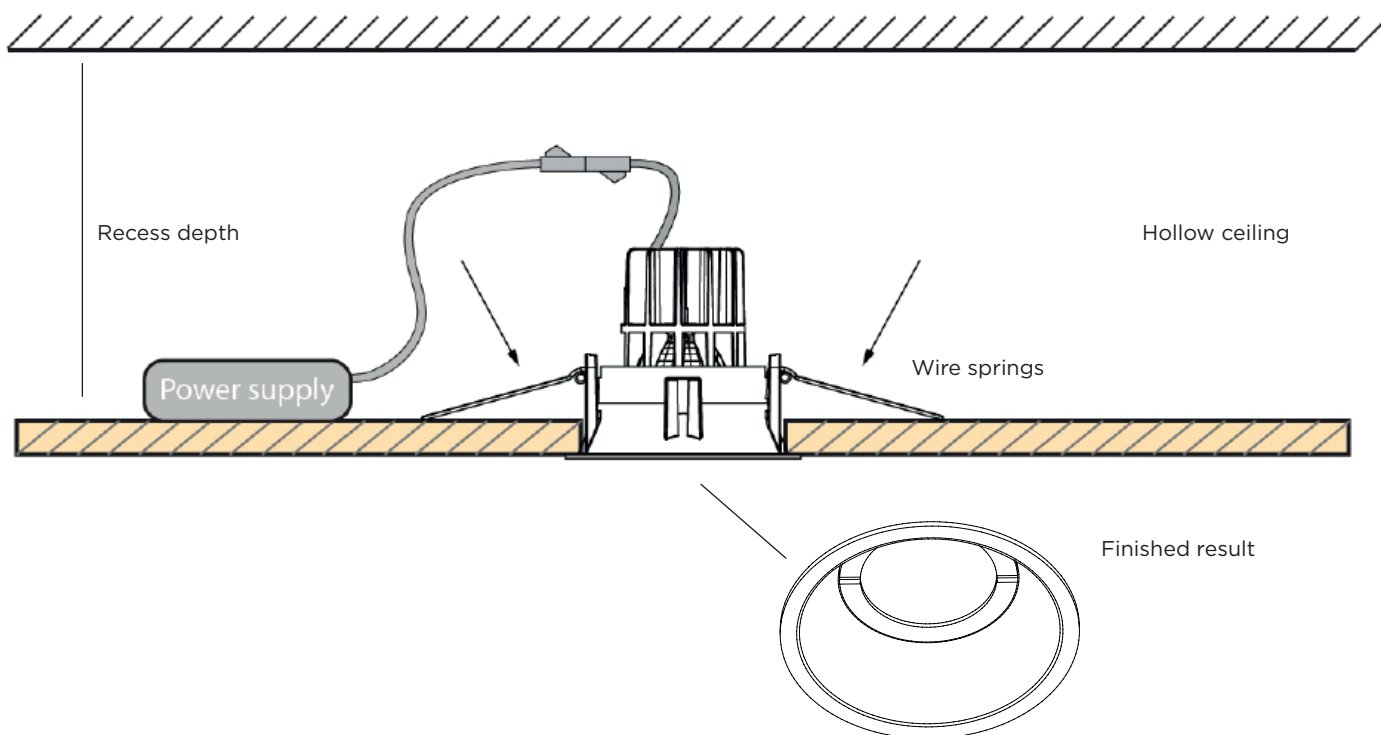


# FREQUENTLY ASKED QUESTIONS

## DIFFERENCE BETWEEN WIRE SPRINGS AND BLADE SPRINGS

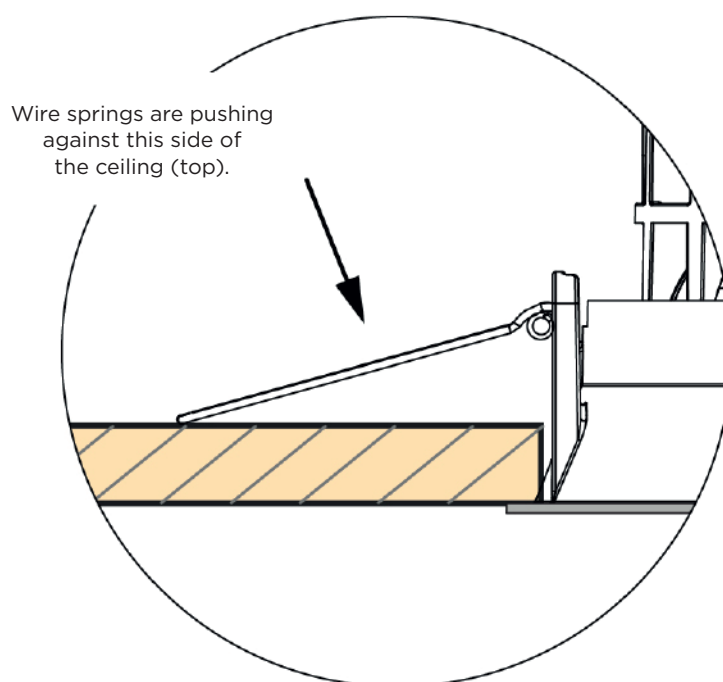
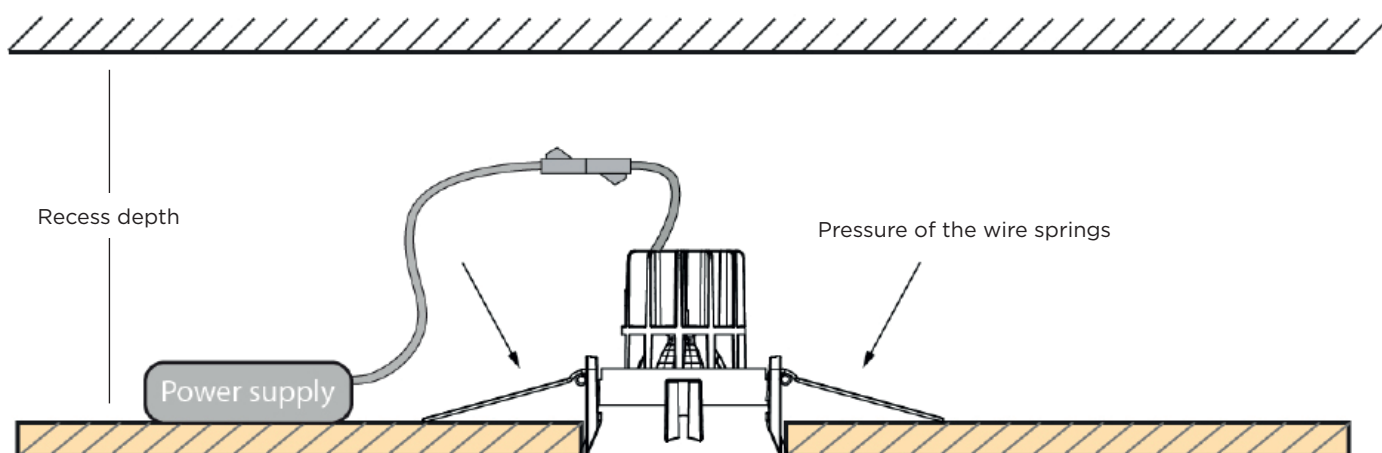
### WIRE SPRINGS

- How to install fixtures with wire springs?



# FREQUENTLY ASKED QUESTIONS

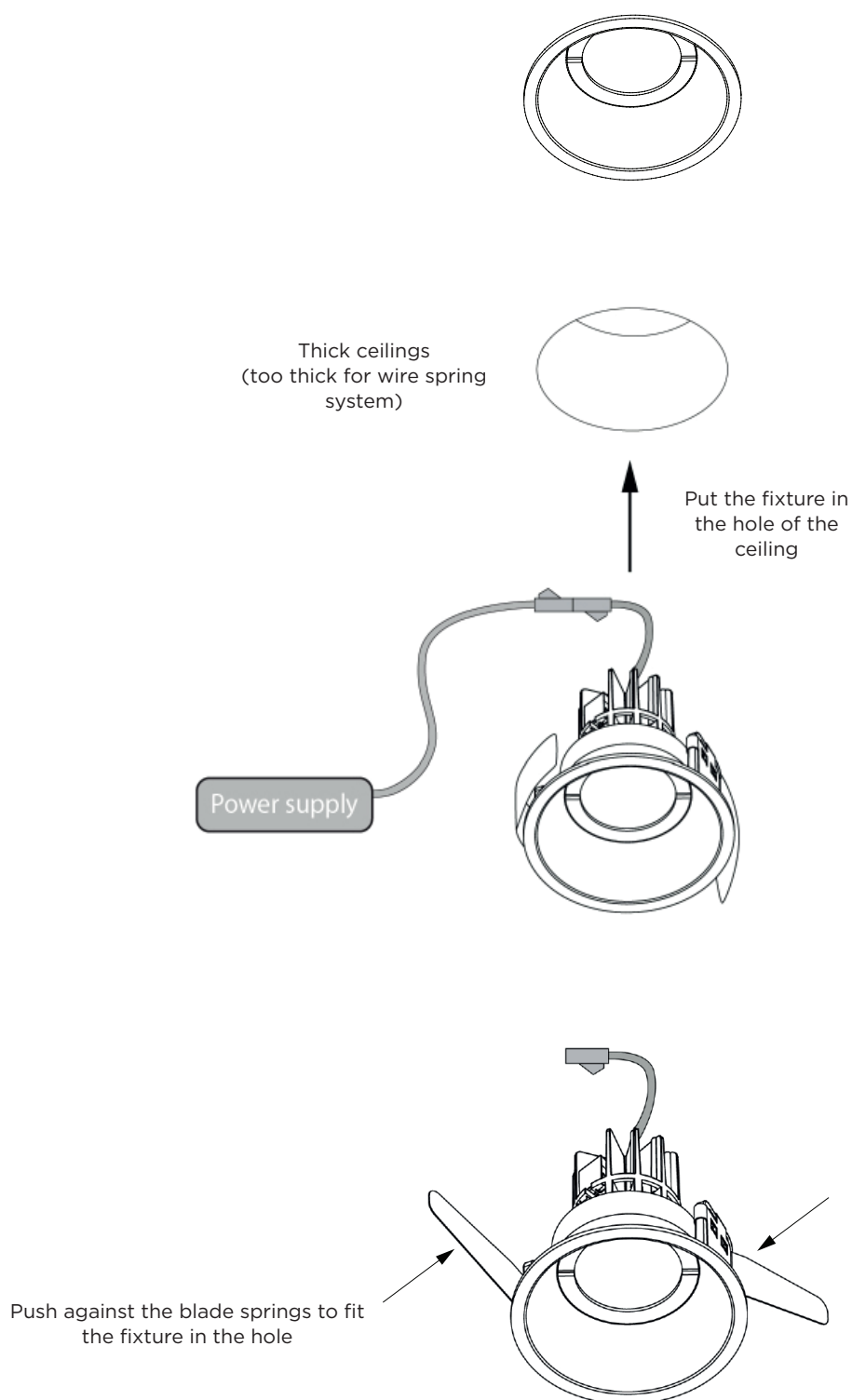
- Wire springs are used to mount fixtures in 'thin' hollow ceilings.



# FREQUENTLY ASKED QUESTIONS

## BLADE SPRINGS

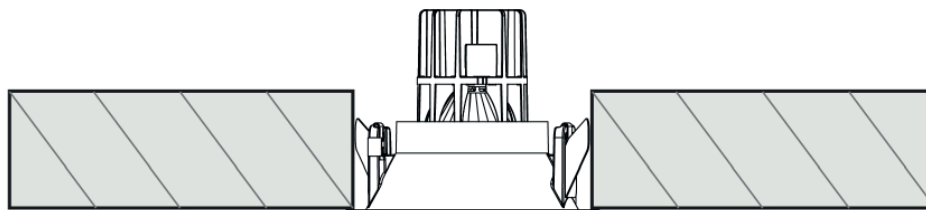
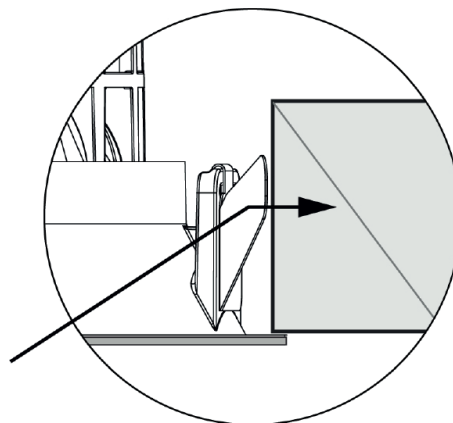
- How to install fixtures with blade springs?



# FREQUENTLY ASKED QUESTIONS

- Blade springs mounted in concrete ceiling  
Blade springs allow fixtures to be mounted in thick massive ceilings.

Blade springs are pushing against this side of the ceiling. When the ceiling has a high thickness (too thick for wire springs), blade springs are recommended.

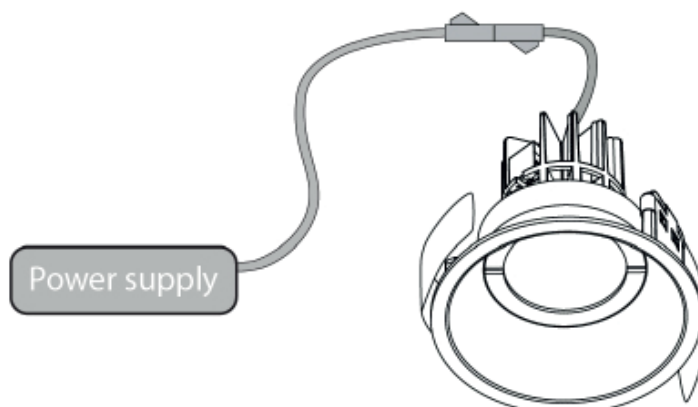


Thick massive ceiling

Thick ceilings  
(too thick for wire springs)



Put the fixture in the  
hole of the ceiling



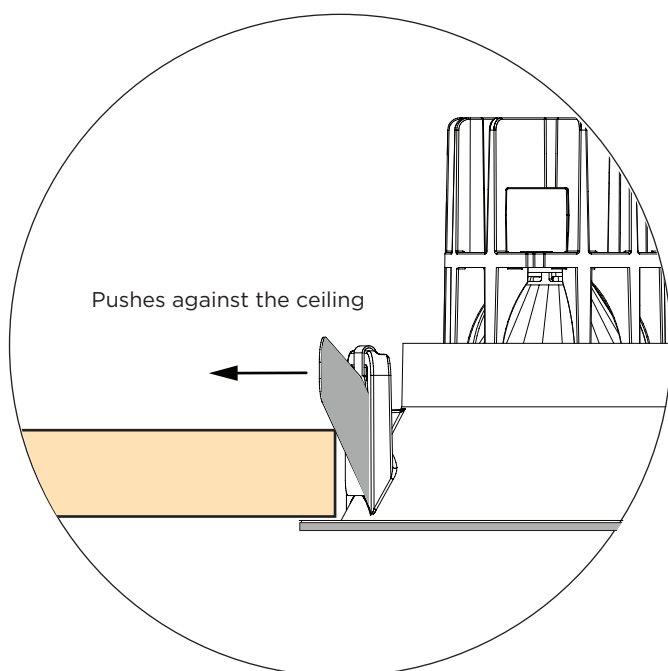
**WEVER & DUCRÉ**  
LIGHTING

# FREQUENTLY ASKED QUESTIONS

- Blade springs mounted in a 'thin' hollow ceiling

## IMPORTANT

Blade springs are mainly used to mount fixtures in a thick concrete ceiling but due to the versatility of the blade system, you can also use it in 'thin' hollow ceilings.



Blade springs are more versatile than the wire springs and can also be used in hollow ceilings where we normally use wire springs.

